

PCB Soldering Yellow Transparent Cover ϕ 5x20mm Fuse Holder BFH-15
 PCB 板焊接黄色带透明盖 5x20mm 保险丝座 BFH-15



❖ Description

Fuse Holder is for fuse mount, including current fuse Holder and auto fuse holder , technology is nickel plating, tin plating and silver plating. Current fuse Holder based on fuse size 3.6x10mm,5x20mm 6x30mm,10x38mm ; Auto fuse Holder based on blade fuse size mini fuse Holder, medium fuse Holder, maxi fuse Holder, usually used in PCB and convenient to change fuse after fuse blown. Fuse selection based on fuse size and fuse current, space left for fuse Holder in PCB.



❖ Main Features

Resist flame UL94V-1
 Fuse size 5x20mm
 Operating temp -30...85°C
 Material PBT copper
 Pitch 22.6mm
 Size 22x13.5x9mm
 Air temp -30 °C to 85 °C
 Rated 20A 250VAC
 Protection rate IP00
 Contact resistance <5mOhm
 Easily installation
 Convenient to change fuse
 Yellow, black can be customized

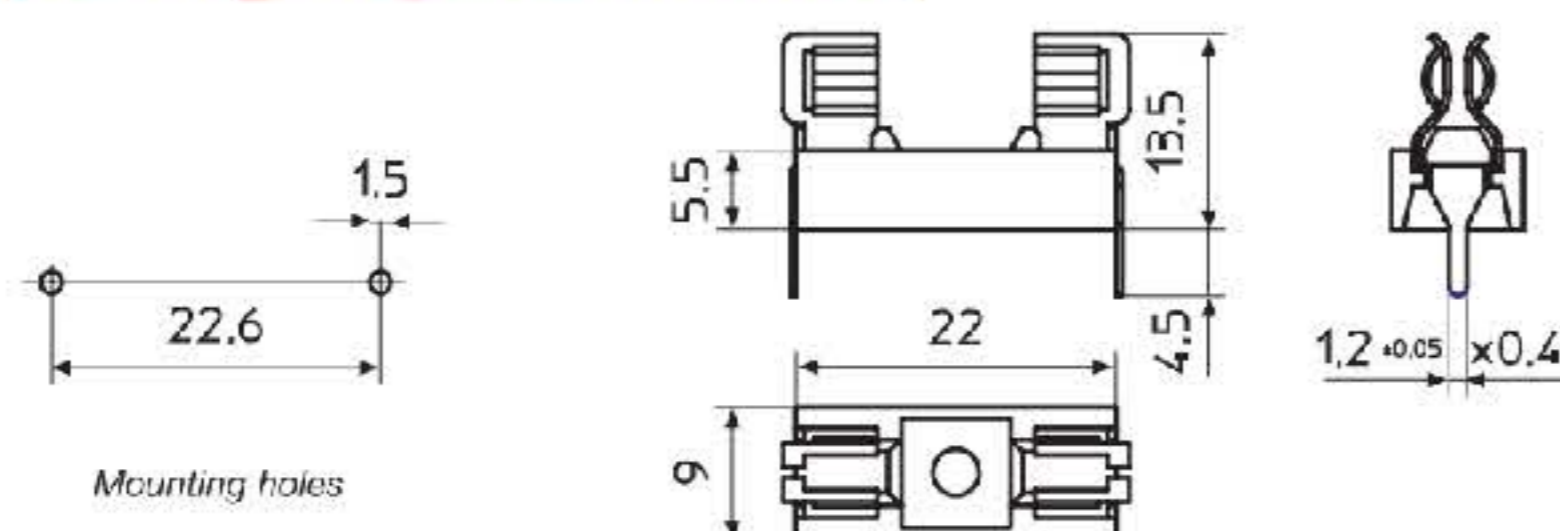
❖ Material

BFH-15 Fuse Holder made of PBT and copper can be insert 5x20mm cartridge fus, used for soldering to PCB , resist to wave soldering 260C for 10sec, complaint with RoHS.

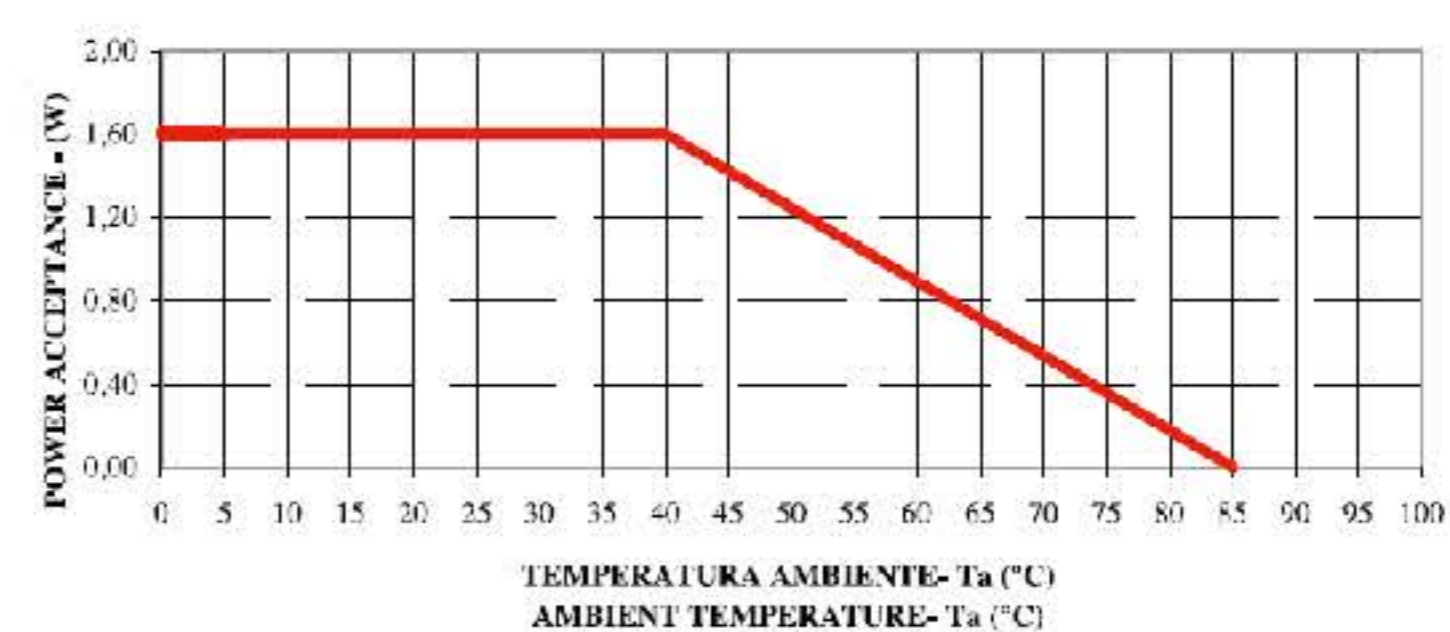
❖ Application

BFH-15 Fuse holder used for 5x20mm cartridge fuse, used for PCB of home appliances, medical, automotive etc.

❖ Dimension (Unit:mm)



❖ Power Acceptance W



Note: Customized is available and contact our sales for further offer .

Version:V1 Date:2020/5/22